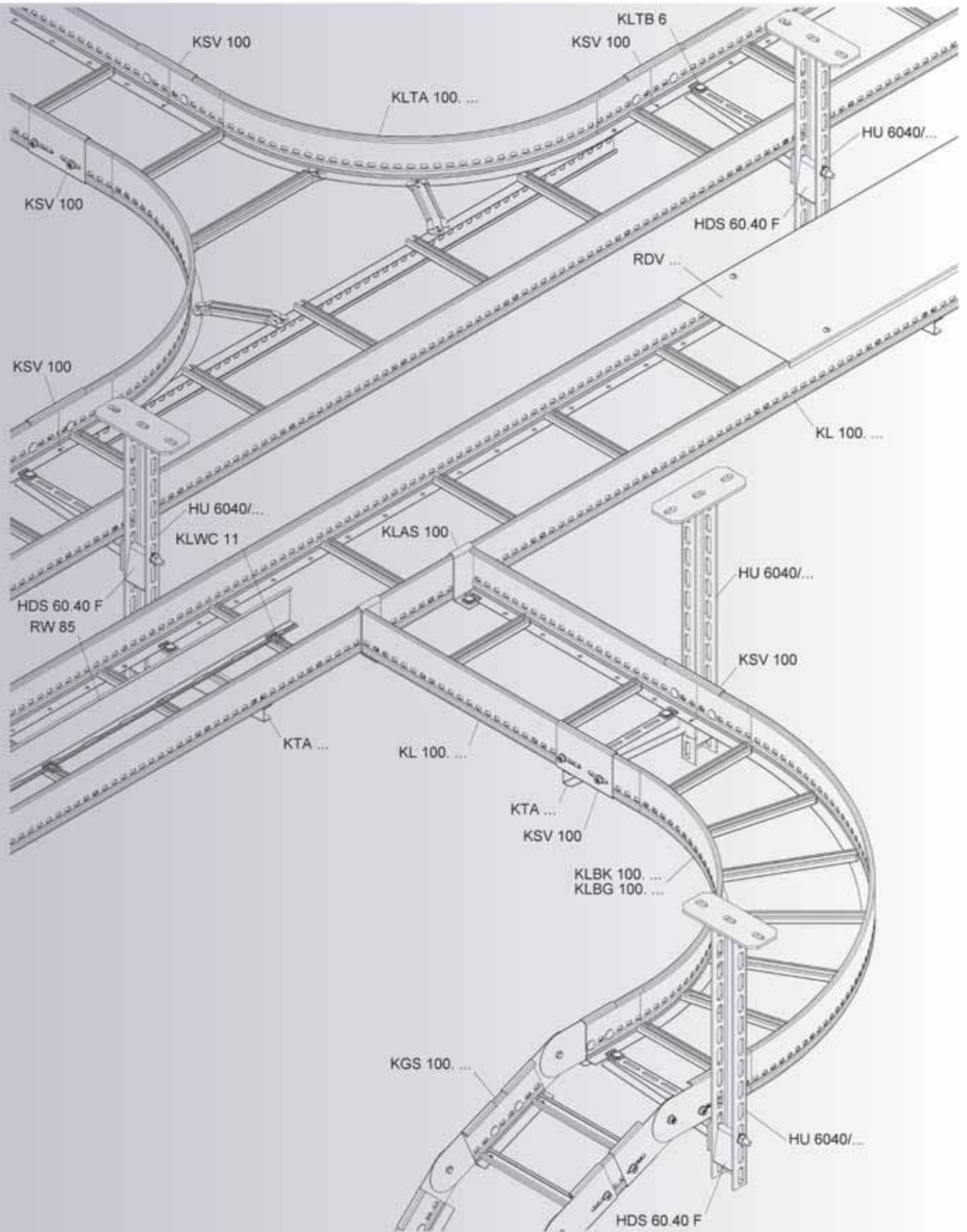


## Available Side Rail Heights

SYSTEM	Cable Ladder	<b>KL</b>	Page 264
ACCESSORIES	Splice Plate	<b>KSV 100</b>	Page 264
	Barrier Strip	<b>RW 85</b>	Page 264
	Splice Plate for Barrier Strip	<b>RTV 85</b>	Page 265
	Mounting Clamp for Barrier Strip	<b>KLWC 11</b>	Page 265
	Extension Horizontal Tee	<b>KLTA</b>	Page 265
	Horizontal Tee	<b>KLT</b>	Page 266
	Horizontal Cross	<b>KLK</b>	Page 266
	Horizontal Elbow 90°, small	<b>KLBK</b>	Page 266
	Large Elbow 90°	<b>KLBG</b>	Page 267
	Vertical Adjustable Splice Plate	<b>KWV 100</b>	Page 267
	Adjustable Elbow	<b>KGS</b>	Page 267
	Adjustable Splice Plate	<b>KGV 100</b>	Page 268
	Cable Ladder Connection Piece	<b>KLAS 100</b>	Page 268
	Pair of Protective Caps	<b>SKK 100</b>	Page 268
	Corner Plate	<b>KLEB</b>	Page 269
	Ladder Drop-out	<b>KLAB</b>	Page 269
	Cable Ladder Mounting Device	<b>KLTB 6</b>	Page 269
	Wall Support, symmetric	<b>WWU 150/8</b>	Page 269
	Wall Support, asymmetric	<b>WWA 100</b>	Page 269
	Cover for Cable Tray/Ladder	<b>RD</b>	Page 270
Cover for Cable Tray/Ladder, with turnbolt locks	<b>RDV</b>	Page 271	



# CABLE LADDER SYSTEM

## Cable Ladder

distance between rungs: 300 mm

model no.	height (H) mm/Inch	width B mm/Inch	thick-ness (t) mm/Inch	delivery length m	EAN code	Weight per 100 m kg
S KL 100.203	100/3,9	200/7,8	1,5	6	903658	341
S KL 100.303	100/3,9	300/11,7	1,5	6	903665	355
S KL 100.403	100/3,9	400/15,6	1,5	6	903672	368
S KL 100.503	100/3,9	500/19,5	1,5	6	903689	411
S KL 100.603	100/3,9	600/23,4	1,5	6	903696	431
F KL 100.203 F	100/3,9	200/7,8	1,5	6	904006	366
F KL 100.303 F	100/3,9	300/11,7	1,5	6	904020	381
F KL 100.403 F	100/3,9	400/15,6	1,5	6	904044	396
F KL 100.503 F	100/3,9	500/19,5	1,5	6	904068	443
F KL 100.603 F	100/3,9	600/23,4	1,5	6	904082	463

perforated side rails with extra punch holes (diameter 8.5 mm) in the bottom, C-rail rungs with 11 mm slot width riveted to the side rails

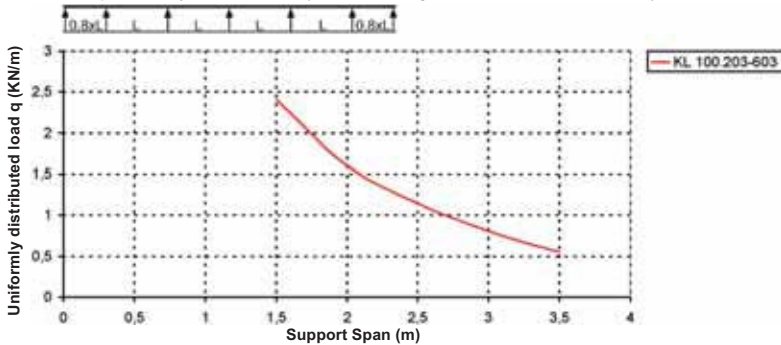
**HDG finish, bottom of side rails non perforated**

25 mm center distance for punch holes 9x15 mm

Cable ladder is available in 3 meter length as well.

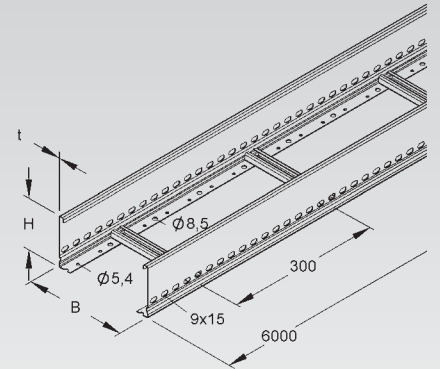
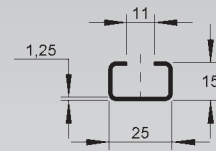
Corresponding yoke clamps (BA... and BAK...) are listed in a separate section of this catalog.

Load Chart: q = uniformly distributed load (tested according to DIN EN IEC 61537 standard)



Specified load ratings are independent of splice plate location.

100



## Splice Plate

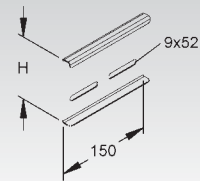
model no.	height (H) mm/Inch	acc. incl.	EAN code	Weight per 100 pc. kg
S KSV 100 S	100/3,9	2 FLM 8x13 F	906758	25,5
F KSV 100 F	100/3,9	2 FLM 8x13 F	906765	25,5

for positive locking connections of cable ladders with a side rail height of 100 mm and corresponding fittings

**2 pieces required per joint. Please order separately.**

Equipotential bonding guaranteed by bolting the splice plate to the side rails of the tray or ladder and the fitting..

100



## Barrier Strip

model no.	height (H) mm/Inch	thick-ness (t) mm/Inch	acc. incl.	EAN code	Weight per 100 m kg
S RW 85	80/3,1	0,9	4 FLM 6x12	237609	92
F RW 85 F	80/3,1	0,9	4 FLM 6x12 F	237708	92

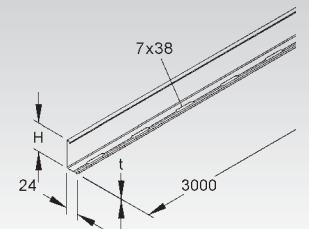
to separate wires and cables of different voltage levels or with different functions

Continuous perforation allows mounting without gradation. Slots (7x38 mm) are spaced at 100 mm.

85



65

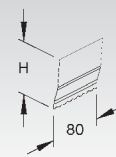


### Splice Plate for Barrier Strip

model no.	height (H) mm/Inch	length (A) mm/Inch	EAN code	Weight per 100 pc. kg
<b>E2</b> RTV 85 E2	79,5/3,1	80/3,1	237753	2

for positive locking connections of barrier strips with proper electrical conductivity

Barrier strips are connected by means of a special splice plate.

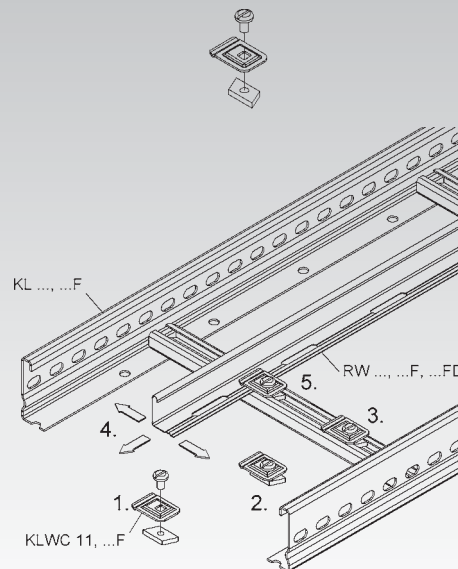


### Mounting Clamp for Barrier Strip

model no.	acc. incl.	EAN code	Weight per 100 pc. kg
<b>G</b> KLWC 11	1 FK 6x10, GSM 306	289608	2
<b>F</b> KLWC 11 F	1 FK 6x10 E3, GSM 306 E3	570409	3

for attaching barrier strips into the rungs of the long span ladder (slot width 11 mm)

To be used for: barrier strip RW...  
insertable at any position of the rail

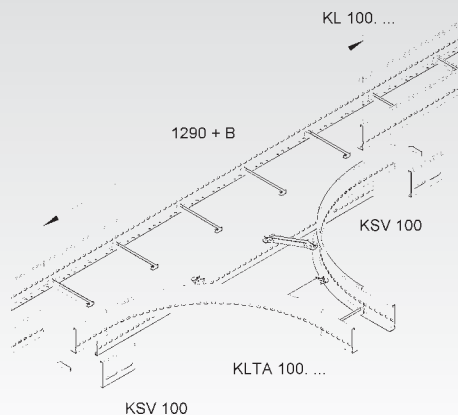
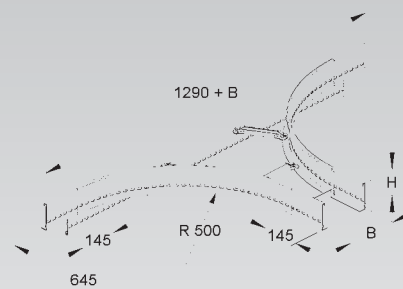


### Extension Horizontal Tee

model no.	height (H) mm/Inch	width B mm/Inch	EAN code	Weight per 100 pc. kg
<b>S</b> KLTA 100.203	100/3,9	200/7,8	913701	549
<b>S</b> KLTA 100.303	100/3,9	300/11,7	913725	574
<b>S</b> KLTA 100.403	100/3,9	400/15,6	913749	598
<b>S</b> KLTA 100.503	100/3,9	500/19,5	913763	623
<b>S</b> KLTA 100.603	100/3,9	600/23,4	913787	647
<b>F</b> KLTA 100.203 F	100/3,9	200/7,8	904310	590
<b>F</b> KLTA 100.303 F	100/3,9	300/11,7	904334	617
<b>F</b> KLTA 100.403 F	100/3,9	400/15,6	904358	643
<b>F</b> KLTA 100.503 F	100/3,9	500/19,5	904372	670
<b>F</b> KLTA 100.603 F	100/3,9	600/23,4	904396	696

The splice plates KSV 100 have to be ordered separately.

Corresponding yoke clamps (BA... and BAK...) are listed in a separate section of this catalog.



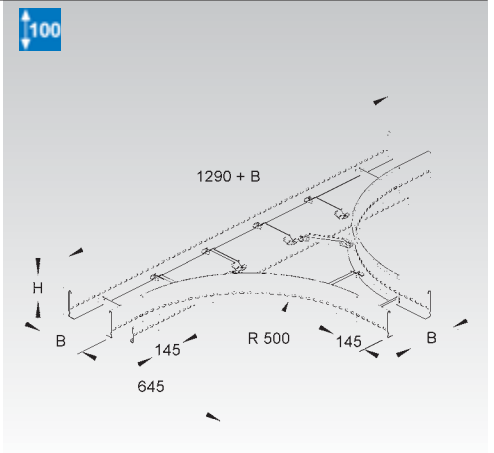
# CABLE LADDER SYSTEM

## Horizontal Tee

model no.	height (H) mm/Inch	width B mm/Inch	EAN code	Weight per 100 pc. kg
S KLT 100.203	100/3,9	200/7,8	903801	765
S KLT 100.303	100/3,9	300/11,7	903818	830
S KLT 100.403	100/3,9	400/15,6	903825	895
S KLT 100.503	100/3,9	500/19,5	903832	1010
S KLT 100.603	100/3,9	600/23,4	903849	1090
F KLT 100.203 F	100/3,9	200/7,8	904303	765
F KLT 100.303 F	100/3,9	300/11,7	904327	830
F KLT 100.403 F	100/3,9	400/15,6	904341	895
F KLT 100.503 F	100/3,9	500/19,5	904365	1010
F KLT 100.603 F	100/3,9	600/23,4	904389	1090

The splice plates KSV 100 have to be ordered separately.

Corresponding yoke clamps (BA... and BAK...) are listed in a separate section of this catalog.

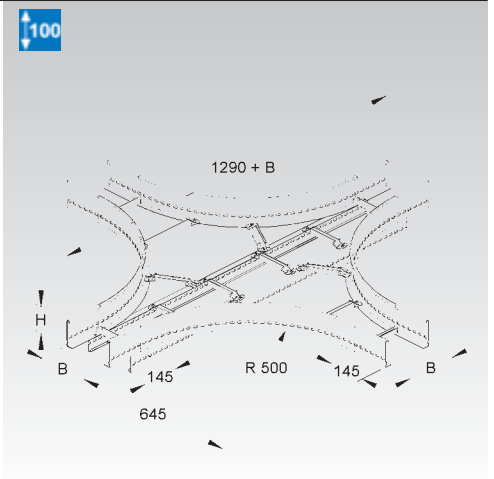


## Horizontal Cross

model no.	height (H) mm/Inch	width B mm/Inch	EAN code	Weight per 100 pc. kg
S KLK 100.203	100/3,9	200/7,8	903856	880
S KLK 100.303	100/3,9	300/11,7	903863	960
S KLK 100.403	100/3,9	400/15,6	903870	1045
S KLK 100.503	100/3,9	500/19,5	903887	1200
S KLK 100.603	100/3,9	600/23,4	903894	1325
F KLK 100.203 F	100/3,9	200/7,8	904402	880
F KLK 100.303 F	100/3,9	300/11,7	904426	960
F KLK 100.403 F	100/3,9	400/15,6	904440	1045
F KLK 100.503 F	100/3,9	500/19,5	904464	1200
F KLK 100.603 F	100/3,9	600/23,4	904488	1325

The splice plates KSV 100 have to be ordered separately.

Corresponding yoke clamps (BA... and BAK...) are listed in a separate section of this catalog.



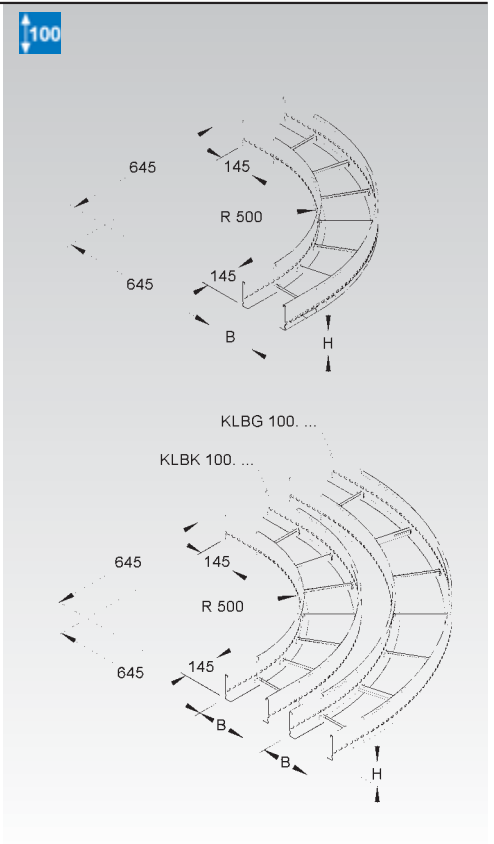
## Horizontal Elbow 90°, small

model no.	height (H) mm/Inch	width B mm/Inch	EAN code	Weight per 100 pc. kg
S KLBK 100.203	100/3,9	200/7,8	903702	430
S KLBK 100.303	100/3,9	300/11,7	903719	475
S KLBK 100.403	100/3,9	400/15,6	903726	520
S KLBK 100.503	100/3,9	500/19,5	903733	615
S KLBK 100.603	100/3,9	600/23,4	903740	660
F KLBK 100.203 F	100/3,9	200/7,8	904105	430
F KLBK 100.303 F	100/3,9	300/11,7	904129	475
F KLBK 100.403 F	100/3,9	400/15,6	904143	520
F KLBK 100.503 F	100/3,9	500/19,5	904167	615
F KLBK 100.603 F	100/3,9	600/23,4	904181	660

Sections of tray can be run in parallel. Minimum mounting distance in between two straight runs of the same width is 100 mm.

The splice plates KSV 100 have to be ordered separately.

Corresponding yoke clamps (BA... and BAK...) are listed in a separate section of this catalog.



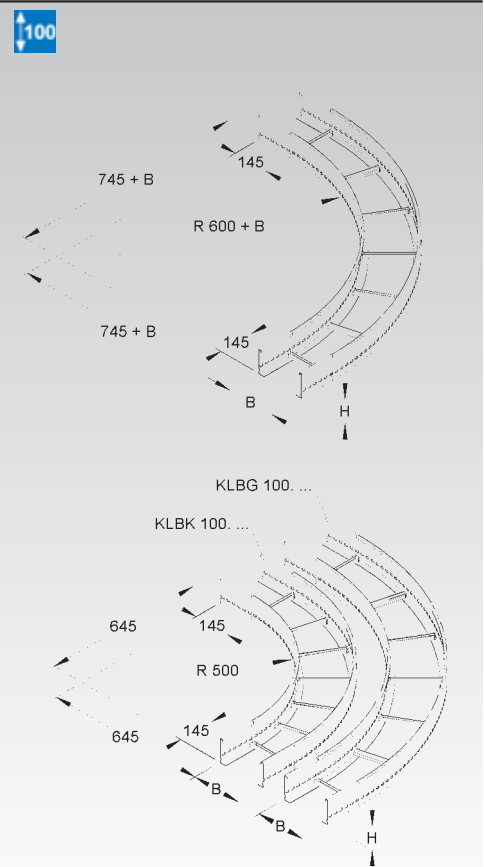
## Horizontal Elbow 90°, large

model no.	height (H) mm/Inch	width B mm/Inch	EAN code	Weight per 100 pc. kg
S KLBG 100.203	100/3,9	200/7,8	903757	570
S KLBG 100.303	100/3,9	300/11,7	903764	670
S KLBG 100.403	100/3,9	400/15,6	903771	775
S KLBG 100.503	100/3,9	500/19,5	903788	950
S KLBG 100.603	100/3,9	600/23,4	903795	1090
F KLBG 100.203 F	100/3,9	200/7,8	904204	570
F KLBG 100.303 F	100/3,9	300/11,7	904228	670
F KLBG 100.403 F	100/3,9	400/15,6	904242	775
F KLBG 100.503 F	100/3,9	500/19,5	904266	950
F KLBG 100.603 F	100/3,9	600/23,4	904280	1090

Sections of tray can be run in parallel. Minimum mounting distance in between two straight runs of the same width is 100 mm.

The splice plates KSV 100 have to be ordered separately.

Corresponding yoke clamps (BA... and BAK...) are listed in a separate section of this catalog.



## Adjustable Splice Plate

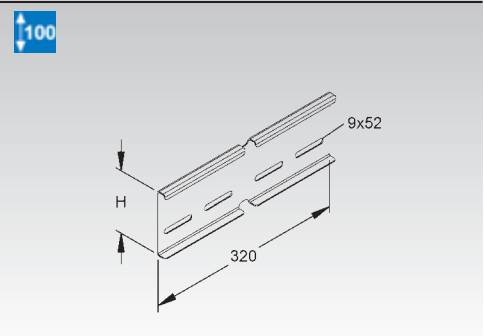
horizontal

model no.	height (H) mm/Inch	acc. incl.	EAN code	Weight per 100 pc. kg
S KVV 100 S	100/3,9	4 FLM 8x13 F	906796	55
F KVV 100 F	100/3,9	4 FLM 8x13 F	906802	55

to make horizontally adjustable splices

**2 pieces required per joint. Please order separately.**

Equipotential bonding guaranteed by bolting the splice plate to the side rails of the tray or ladder and the fitting..



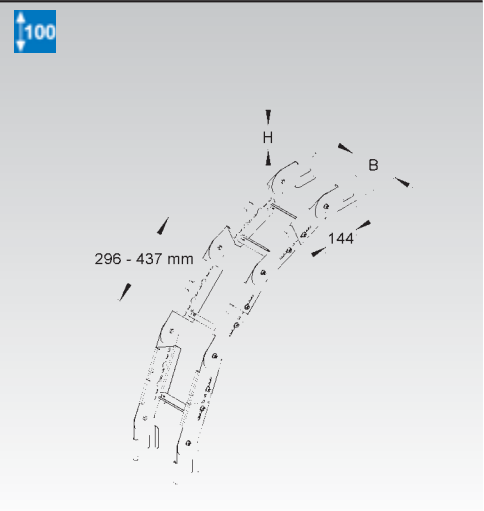
## Adjustable Elbow

vertical

model no.	height (H) mm/Inch	width B mm/Inch	acc. incl.	EAN code	Weight per 100 pc. kg
S KGS 100.203	100/3,9	200/7,8	8 SKM 8x16 F, 16 FLM 8x13 F	903900	370
S KGS 100.303	100/3,9	300/11,7	8 SKM 8x16 F, 16 FLM 8x13 F	903917	430
S KGS 100.403	100/3,9	400/15,6	8 SKM 8x16 F, 16 FLM 8x13 F	903924	490
S KGS 100.503	100/3,9	500/19,5	8 SKM 8x16 F, 16 FLM 8x13 F	903931	575
S KGS 100.603	100/3,9	600/23,4	8 SKM 8x16 F, 16 FLM 8x13 F	903948	620
F KGS 100.203 F	100/3,9	200/7,8	8 SKM 8x16 F, 16 FLM 8x13 F	904501	370
F KGS 100.303 F	100/3,9	300/11,7	8 SKM 8x16 F, 16 FLM 8x13 F	904525	430
F KGS 100.403 F	100/3,9	400/15,6	8 SKM 8x16 F, 16 FLM 8x13 F	904549	490
F KGS 100.503 F	100/3,9	500/19,5	8 SKM 8x16 F, 16 FLM 8x13 F	904563	575
F KGS 100.603 F	100/3,9	600/23,4	8 SKM 8x16 F, 16 FLM 8x13 F	904587	620

delivered as a kit (not assembled)

Corresponding yoke clamps (BA... and BAK...) are listed in a separate section of this catalog.



# CABLE LADDER SYSTEM

## Adjustable Splice Plate

vertical

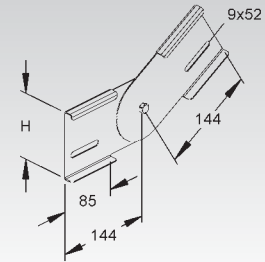
model no.	height (H) mm/Inch	acc. incl.	EAN code	Weight per 100 pc. kg
<b>S</b> KGV 100 S	100/3,9	2 FLM 8x13 F	906772	54
<b>F</b> KGV 100 F	100/3,9	2 FLM 8x13 F	906789	54

for making horizontal elbows for KL... type cable ladder

**2 pieces required per joint. Please order separately.**

Equipotential bonding guaranteed by bolting the splice plate to the side rails of the tray or ladder and the fitting..

100



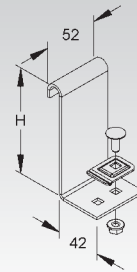
## Cable Ladder Connection Bracket

model no.	height (H) mm/Inch	acc. incl.	EAN code	Weight per 100 pc. kg
<b>F</b> KLAS 100	100/3,9	1 FLM 6x16 F	295005	20,5

connector bracket for field made horizontal joints of cable ladders with identical height

Install corner plate KLEB... to allow extended cable radius.

100



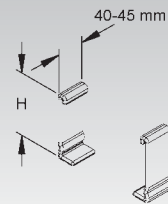
## Pair of Protective End Caps

model no.	height (H) mm/Inch	color	EAN code	Weight per 100 pairs kg
<b>K10</b> SKK 100	100/3,9	yellow	918423	5

to cover the ending of the side rail

**To prevent accidents and injuries you must install a pair of protective end caps. One pair consists of a left-hand and a right-hand version.**

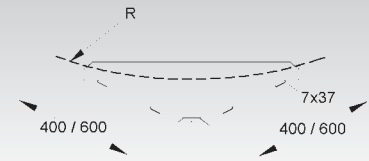
To be used for: Cable Ladder 100...



### Corner Plate

model no.	Radius (R) mm/Inch	EAN code	Weight per 100 pc. kg
S KLEB 300	300	287208	122,5
S KLEB 600	600	287307	260

Corner plate to allow extended cable radius at blunt horizontal joints.

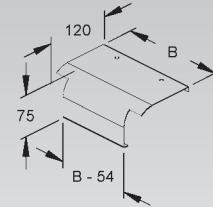


### Ladder Drop Out

model no.	width B mm/Inch	acc. incl.	EAN code	Weight per 100 pc. kg
S KLAB 200	190/7,4	2 ZM 6x10 DIN 84, 2 GSM 306	287406	60
S KLAB 300	290/11,3	2 ZM 6x10 DIN 84, 2 GSM 306	287505	90
S KLAB 400	390/15,2	2 ZM 6x10 DIN 84, 2 GSM 306	287604	120
S KLAB 500	490/19,1	2 ZM 6x10 DIN 84, 2 GSM 306	287703	150
S KLAB 600	590/23	2 ZM 6x10 DIN 84, 2 GSM 306	287802	180
F KLAB 200 F	190/7,4	2 ZM 6x10 E3 DIN 84, 2 GSM 306 E3	900176	60
F KLAB 300 F	290/11,3	2 ZM 6x10 E3 DIN 84, 2 GSM 306 E3	900183	90
F KLAB 400 F	390/15,2	2 ZM 6x10 E3 DIN 84, 2 GSM 306 E3	900190	120
F KLAB 500 F	490/19,1	2 ZM 6x10 E3 DIN 84, 2 GSM 306 E3	900206	150
F KLAB 600 F	590/23	2 ZM 6x10 E3 DIN 84, 2 GSM 306 E3	900213	180
E3 KLAB 200 E3	190/7,4	2 ZM 6x10 E3 DIN 84, 2 GSM 306 E3	900121	60
E3 KLAB 300 E3	290/11,3	2 ZM 6x10 E3 DIN 84, 2 GSM 306 E3	900138	90
E3 KLAB 400 E3	390/15,2	2 ZM 6x10 E3 DIN 84, 2 GSM 306 E3	900145	120
E3 KLAB 500 E3	490/19,1	2 ZM 6x10 E3 DIN 84, 2 GSM 306 E3	900152	150
E3 KLAB 600 E3	590/23	2 ZM 6x10 E3 DIN 84, 2 GSM 306 E3	900169	180

for rung mounting, with rounded edges to protect cables

To be used for: Cable ladders with rungs made of C-rail, slot width 11 mm



### Cable Ladder Mounting Bracket

model no.	acc. incl.	EAN code	Weight per 100 pc. kg
S KLTB 6	1 FLM 6x16 F	282708	2
F KLTB 6 F	1 FLM 6x16 F	282722	2
E3 KLTB 6 E3	1 FLM 6x12 E3	342006	2
E5 KLTB 6 E5	1 FLM 6x12 E5	730407	2

clamping device to fix cable ladders on brackets

2 pieces required per bracket

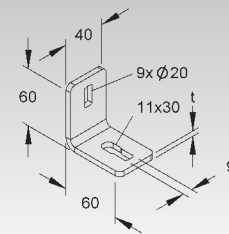


### Wall Support

symmetric

model no.	thick-ness (t) mm/Inch	acc. incl.	EAN code	Weight per 100 pc. kg
F WWU 150/8	5	1 FLM 8x16 F	194506	21
E3 WWU 150/8 E3	4	1 FLM 8x16 E3	344307	21
E5 WWU 150/8 E5	4	1 SKM 8x16 E5	728909	21

for floor-, ceiling- or wall-mount



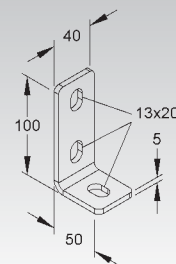
### Wall Support

asymmetric

model no.	thick-ness (t) mm/Inch	acc. incl.	EAN code	Weight per 100 pc. kg
F WWA 100	5	1 FLM 10x25 F	194759	30

for floor-, ceiling- or wall-mount

To be used for: U-profile U 50/..., U 5050/ ..., U 6040/..., U 100/...



# CABLE LADDER SYSTEM ACCESSORIES

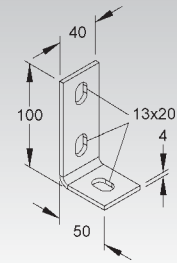
## Wall Support

asymmetric

model no.	thick- ness (t) mm/Inch	acc. incl.	EAN code	Weight per 100 pc. kg
<b>E3 WWA 100 E3</b>	4	1 FLM 10x25 E3	344345	19,4

for floor-, ceiling- or wall-mount

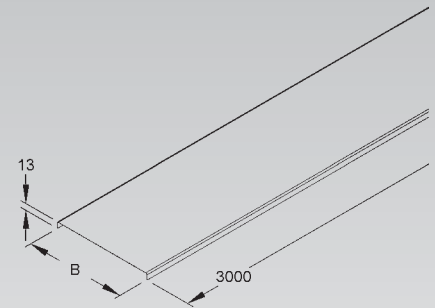
To be used for: Stainless Steel U-Profile U 50/..., U 6040/..., U 100/...



## Cover for Cable Tray/Ladder

model no.	width B mm/Inch	EAN code	Weight per 100 m kg
<b>S RD 70</b>	70/2,7	260157	73
<b>S RD 100</b>	100/3,9	260300	95
<b>S RD 120</b>	120/4,7	260355	114
<b>S RD 150</b>	150/5,8	260409	126
<b>S RD 200</b>	200/7,8	260508	175
<b>S RD 250</b>	250/9,8	260607	213
<b>S RD 300</b>	300/11,7	260706	256
<b>S RD 400</b>	400/15,6	260805	336
<b>S RD 500</b>	500/19,5	260904	416
<b>S RD 550</b>	550/21,4	261000	458
<b>S RD 600</b>	600/23,4	261109	496
<b>F RD 100 F</b>	100/3,9	262502	78,5
<b>F RD 150 F</b>	150/5,8	262601	127
<b>F RD 200 F</b>	200/7,8	262700	175
<b>F RD 250 F</b>	250/9,8	262809	214
<b>F RD 300 F</b>	300/11,7	262908	257
<b>F RD 400 F</b>	400/15,6	263004	337
<b>F RD 500 F</b>	500/19,5	263103	417
<b>F RD 550 F</b>	550/21,4	263202	459
<b>F RD 600 F</b>	600/23,4	263301	497
<b>E3 RD 100 E3</b>	100/3,9	336203	95
<b>E3 RD 200 E3</b>	200/7,8	336302	175
<b>E3 RD 300 E3</b>	300/11,7	336401	256
<b>E3 RD 400 E3</b>	400/15,6	336500	336
<b>E3 RD 500 E3</b>	500/19,5	336609	416
<b>E3 RD 550 E3</b>	550/21,4	336708	416
<b>E3 RD 600 E3</b>	600/23,4	336807	496

To be used for: cable ladder horizontal bends of 35 mm, 60 mm, 85 mm and 110 mm, type RLV ..., RLR..., RL..., RS..., RLC..., RSV... as well as for cable ladders with a side rail height of 60 mm and 100 mm, type KL...



## Cover for Cable Tray/Ladder

with turnbolt locks

model no.	width B mm/Inch	EAN code	Weight per 100 m kg
S RDV 70	70/2,7	261253	55
S RDV 100	100/3,9	261406	97
S RDV 120	120/4,7	261451	116
S RDV 150	150/5,8	261505	129
S RDV 200	200/7,8	261604	177
S RDV 250	250/9,8	261703	216
S RDV 300	300/11,7	261802	260
S RDV 400	400/15,6	261901	340
S RDV 500	500/19,5	262007	420
S RDV 550	550/21,4	262106	460
S RDV 600	600/23,4	262205	500
F RDV 100 F	100/3,9	263608	97
F RDV 150 F	150/5,8	263707	129
F RDV 200 F	200/7,8	263806	177
F RDV 250 F	250/9,8	263905	216
F RDV 300 F	300/11,7	264001	260
F RDV 400 F	400/15,6	264100	340
F RDV 500 F	500/19,5	264209	420
F RDV 550 F	550/21,4	264308	460
F RDV 600 F	600/23,4	264407	500
● FD RDV 100 FD	100/3,9	890682	96
● FD RDV 200 FD	200/7,8	890705	177
● FD RDV 300 FD	300/11,7	890729	259
● FD RDV 400 FD	400/15,6	892402	339
● FD RDV 500 FD	500/19,5	892426	420
● FD RDV 600 FD	600/23,4	892440	500
E3 RDV 100 E3	100/3,9	336906	97
E3 RDV 200 E3	200/7,8	337002	177
E3 RDV 300 E3	300/11,7	337101	257
E3 RDV 400 E3	400/15,6	337200	340
E3 RDV 500 E3	500/19,5	337309	420
E3 RDV 550 E3	550/21,4	337408	460
E3 RDV 600 E3	600/23,4	337507	500

Turn-bolt locks for finish E3 and E5 are always made of stainless steel type E5.

To be used for: cable ladder horizontal bends of 35 mm, 60 mm, 85 mm and 110 mm, type RLV ..., RLR..., RL..., RS..., RLC..., RSV... as well as for cable ladders with a side rail height of 60 mm and 100 mm, type KL...

Outdoor usage requires additional securing against windloads etc. using ex. self tapping screws or steel cable ties.

use turnbolt lock RDRS 9 and cover clamp RDHF 9 E2 for extra requirements

