


Wire Mesh Tray System

 Wire Mesh Tray

 Barrier Strips

 Covers

 Accessories



All straight sections of cable tray as well as their corresponding system components (fittings, splice plates, covers, ...) are classified by UL in accordance with NEMA VE 1 for the USA and CSA E22.2 No. 125.1 for Canada.

Please add an 'X' after the first sequence of characters in the part number to get your products labeled for UL conformity (i.e. RLV 60.200 becomes RLVX 60.200 or GRS 110.300 becomes GR SX 110.300).







Wire Mesh Tray is lightweight, flexible and easy to install. Due to its small surface area there is no accumulation of dirt or humidity. Cable ventilation is perfect.

There is no need for long term advanced planning and ordering. Just get straight sections of tray, a few accessories like the universal splice kit and a bolt cutter and you are ready to go. All kinds of fittings can be done onsite easily.

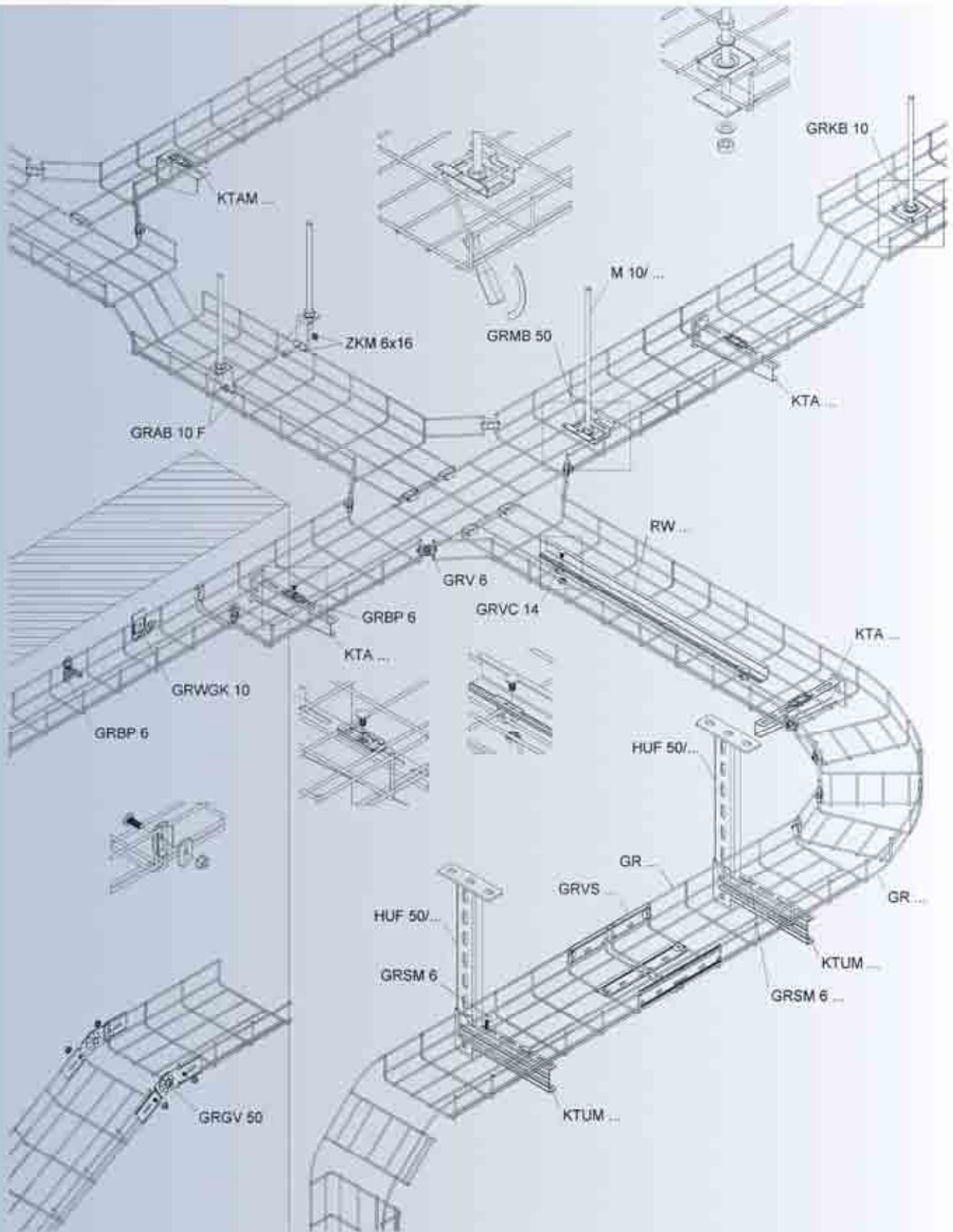
Wire Mesh Tray is available in many finishes and can be used in industrial and commercial environments, inside and outside.



Available Side Rail Heights

TRAY	Wire Mesh Tray	GR	 Page 124
	Wire Mesh Tray, u-shaped	GRS	 Page 124  Page 126  Page 127
ACCESSORIES	Boltless Splice Plate	GRVS	Page 128*
	Universal Splice Plate	GRV 6	Page 128*
	Adjustable Splice Plate	GRGV 50	Page 128*
	Horizontal 90° Splice Plate	GRWV 20/250	Page 129*
	Barrier Strip	RW	Page 129*
	Splice Plate for Barrier Strip	RTV	Page 129*
	Mounting Clamp for Barrier Strip	GRVC 14	Page 129*
	J-Hook Bolt	GRSM 6	Page 130*
	Universal Wire Mesh Mounting Bracket	GRBP 6	Page 130*
	Wall Support and Center Hanger	GRWB 10	Page 130*
	Mounting with Threaded Rod	GRKB 10	Page 131*
	Wire Mesh Bracket	GRWGK 10	Page 131*
	Mounting Bracket	GRMB 50	Page 132*
	Cover for Wire Mesh Tray	GRD	Page 132*
	Quick Fix Center Hanger/Trapeze Support	GRTW	Page 133*
	Quick Fix L-Bracket	GRTKS	Page 133*
	Cable Drop Out	GRKA 50	Page 133*

* Applicable with all edge heights.



Wire Mesh Cable Tray Specifications:

A. CABLE TRAY DESIGN

1. Wire mesh cable tray shall utilize high mechanical strength steel wire that is welded into a 2" x 4" (50 mm x 100 mm) grid system. This grid is then formed into channels, which support and carry cables and permit ventilation of cables and maximum heat dissipation.

B. MATERIAL

1. **Electro-plated zinc galvanized: ASTM B633.**
To be applied to welded and formed wire mesh surfaces.
2. **Hot dipped galvanized steel.**
All trays to be hot-dipped galvanized after fabrication in accordance with ASTM A123.
3. **Stainless steel.**
All trays are to be constructed of AISI type 304 or type 316 stainless steel for maximum corrosion resistance
4. **Epoxy Powder Coated Paint:**
available on special request

C. Tray Size

1. **Height:** Trays shall have an overall height of 2.3", 4.3", and 6.3" (60, 110 and 160 mm)
2. **Width:** Widths shall be 2", 4", 6", 8", 12", 16", 18" 20" and 24" (60, 100, 150, 200, 300, 400, 450, 500 and 600 mm).
3. **Length:** Length shall be a nominal 10' or 3 meters.

D. FITTINGS:

1. Shall be fabricated in the field by cutting wires with offset blade bolt cutters. Cuts shall be made in a manner reducing sharp edges and projections so they do not harm cables or installation personnel.
2. **Dividers:** Provide pre-galvanized steel, full depth divider strips to follow the contours of the mesh sections to allow different wiring systems to be run in the same tray.
3. **Supports:** Manufacturers specified supports and hardware are to be used for installation
4. **Splices:** Two options available, bolted type or non bolted to splice sections end to end, in pre-galvanized steel, hot dipped galvanized steel, and stainless steel.

E. UL CLASSIFICATION

1. Straight sections shall be UL classified as an equipment grounding conductor

F. DESIGN AND MANUFACTURE

1. GRX/GRSX series cable tray shall be manufactured by The NIEDAX Group.

Load / Span Class Designation in accordance with NEMA VE 1 and CSA E22.2 No. 126.1

NIEDAX Series	Minimum Area		Load class in accordance to NEMA VE 1		
	(calculational) mm ² / in. ²	In accordance to NEMA VE 2 mm ² / in. ²	Rated Load Kg/m / lb./ft.	Support spacing m / ft.	Load/Span Class
GRX 35.100, ... F	38 / 0.06	-	12 / 8.1	2 / 6.6	-
GRX 35.150, ... F	48 / 0.07	-	12 / 8.1	2 / 6.6	-
GRX 35.200, ... F	58 / 0.09	-	12 / 8.1	2 / 6.6	-
GRX 35.300, ... F	101 / 0.16	-	16.5 / 11.1	2 / 6.6	-
GRX 35.400, ... F	126 / 0.19	-	16.5 / 11.1	2 / 6.6	-
GRX 40.040, ... F	38 / 0.06	-	42.7 / 28.8	1 / 3.3	-
GRX 60.100, ... F, ... E3	58 / 0.09	-	16.5 / 11.1	2 / 6.6	-
GRX 60.150, ... F, ... E3	67 / 0.10	-	16.5 / 11.1	2 / 6.6	-
GRX 60.200, ... F, ... E3	77 / 0.12	-	16.5 / 11.1	2 / 6.6	-
GRX 60.300, ... F, ... E3	126 / 0.19	-	31.5 / 21.2	2 / 6.6	-
GRX 60.400, ... F, ... E3	151 / 0.23	129 / 0.2	31.5 / 21.2	2 / 6.6	-
GRSX 60.060, ... F, ... E3	64 / 0.10	-	25.5 / 17.1	2 / 6.6	-
GRSX 60.100, ... F, ... E3	75 / 0.12	-	25.5 / 17.1	2 / 6.6	-
GRSX 60.150, ... F, ... E3	111 / 0.17	-	25.5 / 17.1	2 / 6.6	-
GRSX 60.200, ... F, ... E3	127 / 0.20	-	25.5 / 17.1	2 / 6.6	-
GRSX 60.300, ... F, ... E3	181 / 0.28	129 / 0.2	63 / 42.3	2 / 6.6	A
GRSX 60.400, ... F, ... E3	217 / 0.34	129 / 0.2	63 / 42.3	2 / 6.6	A
GRSX 60.500, ... F, ... E3	253 / 0.39	129 / 0.2	63 / 42.3	2 / 6.6	A
GRX 110.100, ... F	77 / 0.12	-	53.3 / 35.9	2 / 6.6	-
GRX 110.200, ... F	125 / 0.19	-	53.3 / 35.9	2 / 6.6	-
GRX 110.300, ... F	151 / 0.23	129 / 0.2	53.3 / 35.9	2 / 6.6	-
GRX 110.400, ... F	175 / 0.27	129 / 0.2	53.3 / 35.9	2 / 6.6	-
GRX 110.500, ... F	201 / 0.31	129 / 0.2	53.3 / 35.9	2 / 6.6	-
GRX 110.600, ... F	226 / 0.35	129 / 0.2	53.3 / 35.9	2 / 6.6	-
GRSX 110.200, ... F	181 / 0.28	129 / 0.2	83.3 / 56	2 / 6.6	A
GRSX 110.300, ... F	217 / 0.34	129 / 0.2	83.3 / 56	2 / 6.6	A
GRSX 110.450, ... F	271 / 0.42	258 / 0.4	83.3 / 56	2 / 6.6	A
GRSX 110.800, ... F	326 / 0.50	258 / 0.4	103.3 / 69.4	2 / 6.6	A
GRSX 110.200, ... E3	159 / 0.25	129 / 0.2	50 / 33.6	2 / 6.6	-
GRSX 110.300, ... E3	191 / 0.30	129 / 0.2	50 / 33.6	2 / 6.6	-
GRSX 110.450, ... E3	239 / 0.37	129 / 0.2	50 / 33.6	2 / 6.6	-
GRSX 110.600, ... E3	286 / 0.44	258 / 0.4	60 / 40.3	2 / 6.6	-
GRSX 160.200, ... F	217 / 0.34	129 / 0.2	83.3 / 56	2 / 6.6	A
GRSX 160.300, ... F	253 / 0.39	129 / 0.2	83.3 / 56	2 / 6.6	A
GRSX 160.450, ... F	308 / 0.48	258 / 0.4	83.3 / 56	2 / 6.6	A
GRSX 160.600, ... F	362 / 0.56	258 / 0.4	123.3 / 82.9	2 / 6.6	A
GRSX 160.200, ... E3	191 / 0.30	129 / 0.2	56.7 / 38.1	2 / 6.6	-
GRSX 160.300, ... E3	223 / 0.35	129 / 0.2	56.7 / 38.1	2 / 6.6	-
GRSX 160.450, ... E3	270 / 0.42	258 / 0.4	56.7 / 38.1	2 / 6.6	-
GRSX 160.600, ... E3	318 / 0.49	258 / 0.4	73.3 / 49.3	2 / 6.6	A

WIRE MESH TRAY SYSTEM

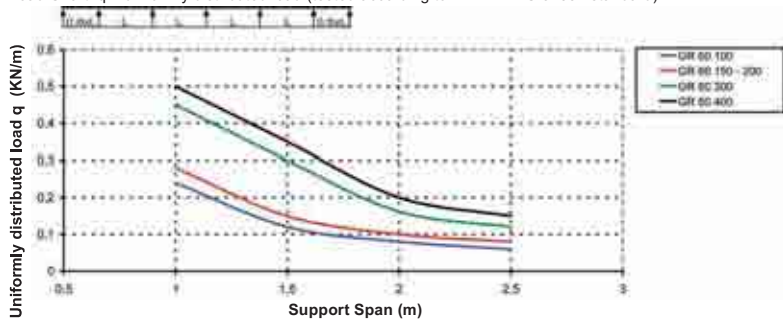
Wire Mesh Tray

U-shaped

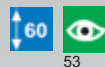
model no.	height H mm/Inch	width B mm/Inch	thick-ness t mm/Inch	EAN code	Weight per 100 m kg
E3 GR 60.100 E3	60/2,3	100/3,9	3,5	343720	62
E3 GR 60.150 E3	60/2,3	150/5,8	3,5	343737	74
E3 GR 60.200 E3	60/2,3	200/7,8	3,5	343744	84
E3 GR 60.300 E3	60/2,3	300/11,7	4	343768	140
E3 GR 60.400 E3	60/2,3	400/15,6	4	343782	170

Splice plates have to be ordered separately.

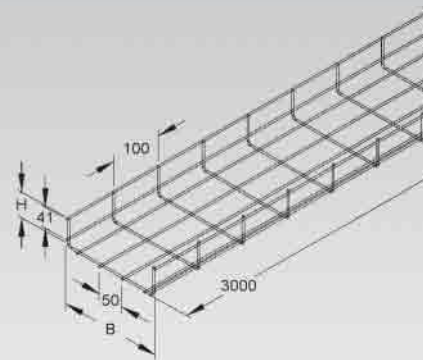
Load Chart: q = uniformly distributed load (tested according to DIN EN IEC 61537 standard)



Specified load ratings are independent of splice plate location.



53



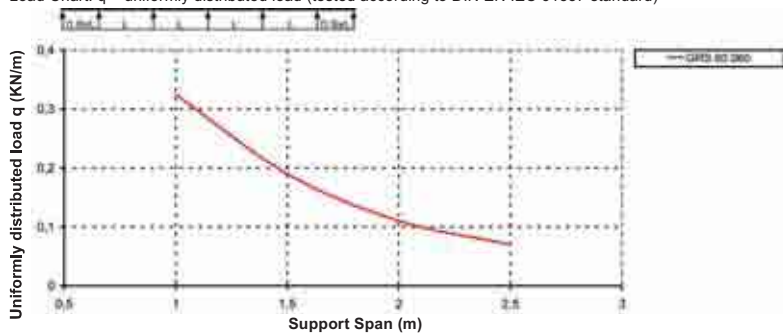
Wire Mesh Tray

U-shaped

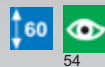
model no.	height H mm/Inch	width B mm/Inch	thick-ness t mm/Inch	EAN code	Weight per 100 m kg
V GRS 60.060	60/2,3	60/2,3	4	781904	56
F GRS 60.060 F	60/2,3	60/2,3	4	892204	59,3
E3 GRS 60.060 E3	60/2,3	60/2,3	4,5	801152	70

Splice plates have to be ordered separately.

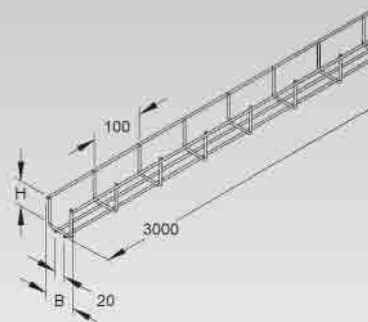
Load Chart: q = uniformly distributed load (tested according to DIN EN IEC 61537 standard)



Specified load ratings are independent of splice plate location.



54



Wire Mesh Tray

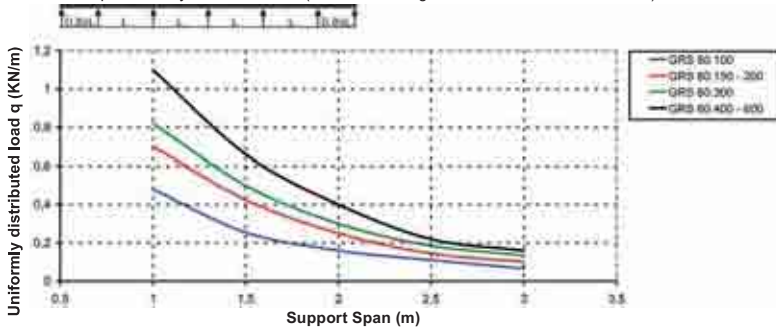
U-shaped

	model no.	height H mm/Inch	width B mm/Inch	thick- ness t mm/Inch	dist. A mm/Inch	EAN code	Weight per 100 m kg
V	GRS 60.100	60/2,3	100/3,9	4	40	781928	80
V	GRS 60.150	60/2,3	150/5,8	4,5	37,5	781942	119
V	GRS 60.200	60/2,3	200/7,8	4,5	37,5	781966	138
V	GRS 60.300	60/2,3	300/11,7	4,8	37,5	781980	200
V	GRS 60.400	60/2,3	400/15,6	4,8	37,5	782000	244
V	GRS 60.450	60/2,3	450/17,6	4,8	37,5	967452	
V	GRS 60.500	60/2,3	500/19,5	4,8	37,5	782024	287
V	GRS 60.600	60/2,3	500/19,5	4,8	37,5	782048	333
F	GRS 60.100 F	60/2,3	100/3,9	4	40	892228	85,3
F	GRS 60.150 F	60/2,3	150/5,8	4,5	37,5	892242	127
F	GRS 60.200 F	60/2,3	200/7,8	4,5	37,5	892266	148,3
F	GRS 60.300 F	60/2,3	300/11,7	4,8	37,5	892280	214
F	GRS 60.400 F	60/2,3	400/15,6	4,8	37,5	892303	261,6
F	GRS 60.450 F	60/2,3	450/17,6	4,8	37,5	967469	
F	GRS 60.500 F	60/2,3	500/19,5	4,8	37,5	892327	307,6
F	GRS 60.600 F	60/2,3	600/23,4	4,8	37,5	935758	353,3
E3	GRS 60.100 E3	60/2,3	100/3,9	4,5	37,5	801169	99,3
E3	GRS 60.150 E3	60/2,3	150/5,8	4,5	37,5	801176	118,3
E3	GRS 60.200 E3	60/2,3	200/7,8	4,5	37,5	801183	139
E3	GRS 60.300 E3	60/2,3	300/11,7	4,5	37,5	903528	177
E3	GRS 60.400 E3	60/2,3	400/15,6	4,5	37,5	903542	215
E3	GRS 60.450 E3	60/2,3	450/17,6	4,5	37,5	967476	
E3	GRS 60.500 E3	60/2,3	500/19,5	4,5	37,5	903566	253
E3	GRS 60.600 E3	60/2,3	600/23,4	4,5	37,5	903580	295

Splice plates have to be ordered separately.

GRS 60... E5 available in US and Canada only.

Load Chart: q = uniformly distributed load (tested according to DIN EN IEC 61537 standard)

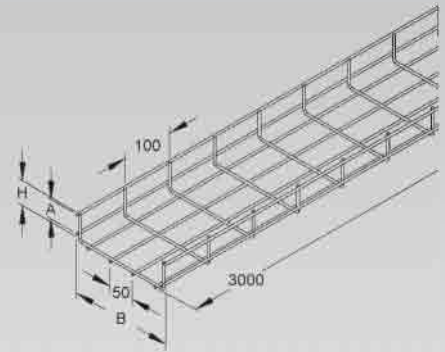


Specified load ratings are independent of splice plate location.

60



54



WIRE MESH TRAY SYSTEM

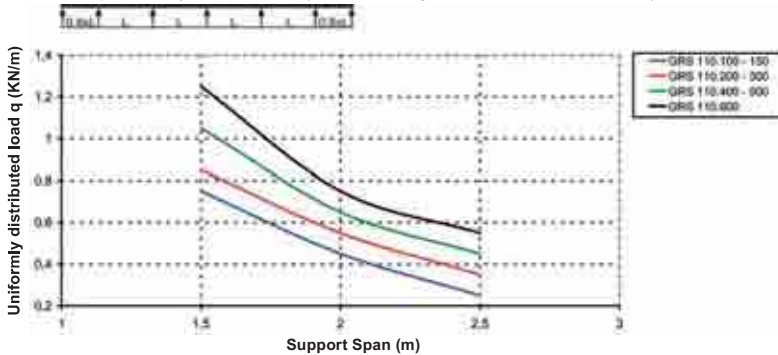
Wire Mesh Tray

U-shaped

model no.	height H mm/Inch	width B mm/Inch	thick- ness t mm/Inch	EAN code	Weight per 100 m kg
V GRS 110.100	110/4,3	100/3,9	4,5	930500	140
V GRS 110.150	110/4,3	150/5,8	4,5	909339	163
V GRS 110.200	110/4,3	200/7,8	4,8	930517	200
V GRS 110.300	110/4,3	300/11,7	4,8	930524	240
V GRS 110.450	110/4,3	450/17,6	4,8	933969	306,9
V GRS 110.600	110/4,3	600/23,4	4,8	930555	374
F GRS 110.100 F	110/4,3	100/3,9	4,5	930562	151
F GRS 110.200 F	110/4,3	200/7,8	4,8	930579	175
F GRS 110.300 F	110/4,3	300/11,7	4,8	930586	215
F GRS 110.450 F	110/4,3	450/17,6	4,8	933976	329,9
F GRS 110.600 F	110/4,3	600/23,4	4,8	930616	403

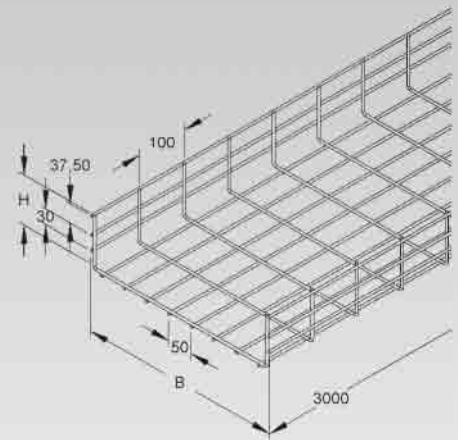
Splice plates have to be ordered separately.

Load Chart: q = uniformly distributed load (tested according to DIN EN IEC 61537 standard)



Specified load ratings are independent of splice plate location.

110



Wire Mesh Tray

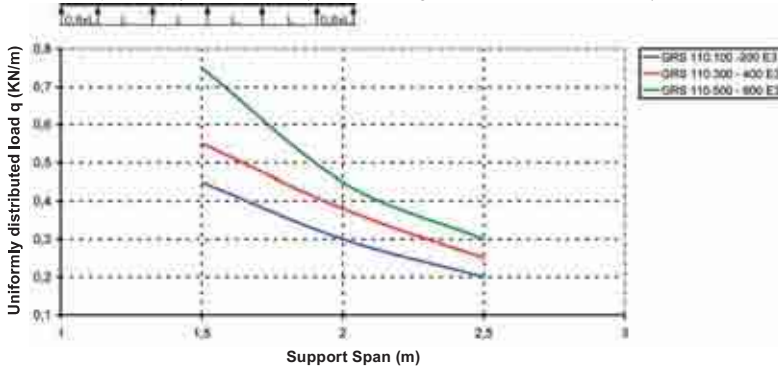
U-shaped

model no.	height H mm/Inch	width B mm/Inch	thick- ness t mm/Inch	EAN code	Weight per 100 m kg
E3 GRS 110.100 E3	110/4,3	100/3,9	4,5	930722	130
E3 GRS 110.200 E3	110/4,3	200/7,8	4,5	930739	177
E3 GRS 110.300 E3	110/4,3	300/11,7	4,5	930746	215
E3 GRS 110.450 E3	110/4,3	450/17,6	4,5	934041	271,6
E3 GRS 110.600 E3	110/4,3	600/23,4	4,5	930777	329

Splice plates have to be ordered separately.

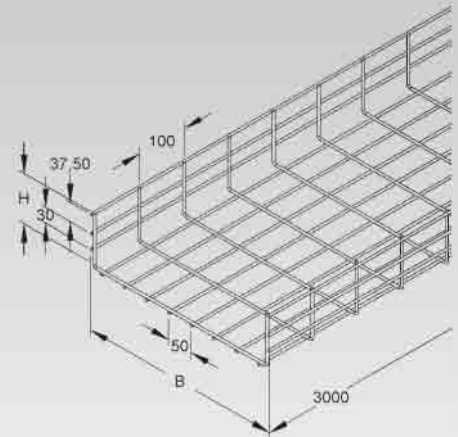
GRS 110... E5 available in US and Canada only.

Load Chart: q = uniformly distributed load (tested according to DIN EN IEC 61537 standard)



Specified load ratings are independent of splice plate location.

110



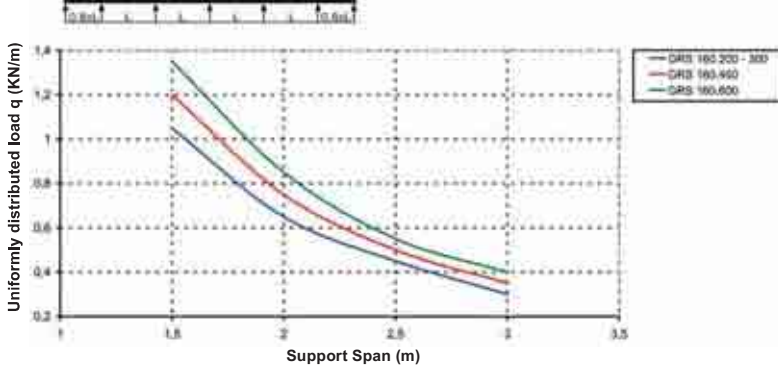
Wire Mesh Tray

U-shaped

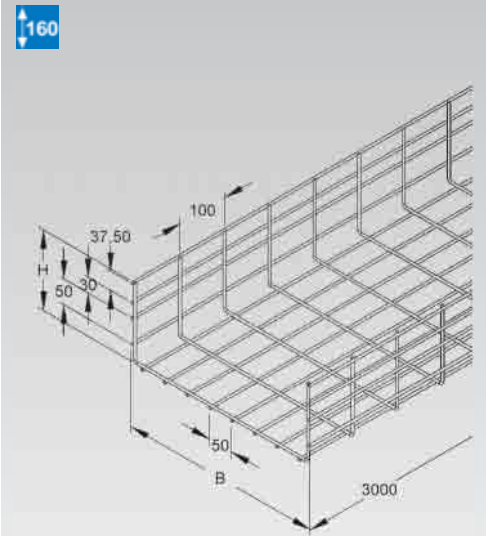
	model no.	height H mm/Inch	width B mm/Inch	thick- ness t mm/Inch	EAN code	Weight per 100 m kg
V	GRS 160.200	160/6,2	200/7,8	4,8	930623	240
V	GRS 160.300	160/6,2	300/11,7	4,8	930630	287
V	GRS 160.450	160/6,2	450/17,6	4,8	934010	350
V	GRS 160.600	160/6,2	600/23,4	4,8	930661	413
F	GRS 160.200 F	110/4,3	200/7,8	4,8	930678	258
F	GRS 160.300 F	110/4,3	300/11,7	4,8	930685	332
F	GRS 160.450 F	110/4,3	450/17,6	4,8	934027	376
F	GRS 160.600 F	110/4,3	600/23,4	4,8	930715	444

Splice plates have to be ordered separately.

Load Chart: q = uniformly distributed load (tested according to DIN EN IEC 61537 standard)



Specified load ratings are independent of splice plate location.



Wire Mesh Tray

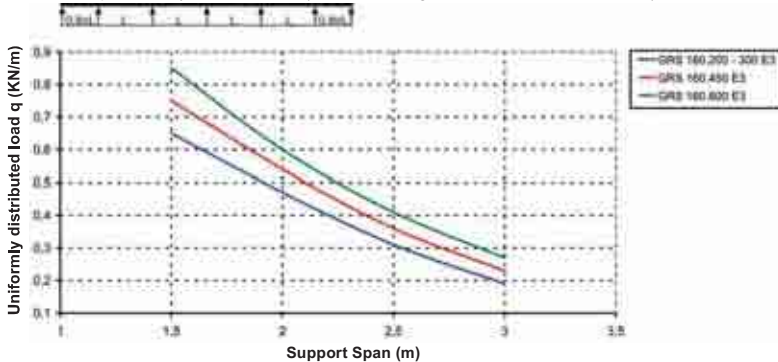
U-shaped

	model no.	height H mm/Inch	width B mm/Inch	thick- ness t mm/Inch	EAN code	Weight per 100 m kg
E3	GRS 160.200 E3	160/6,2	200/7,8	4,5	930845	215
E3	GRS 160.300 E3	160/6,2	300/11,7	4,5	930852	262
E3	GRS 160.450 E3	160/6,2	450/17,6	4,5	934072	319
E3	GRS 160.600 E3	160/6,2	600/23,4	4,5	930883	376

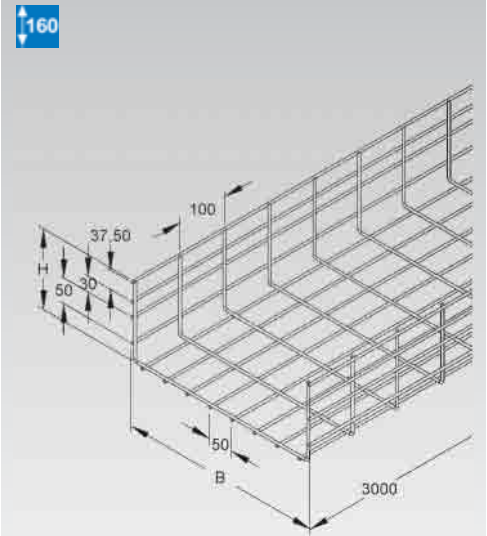
Splice plates have to be ordered separately.

GRS 160... E5 available in US and Canada only.

Load Chart: q = uniformly distributed load (tested according to DIN EN IEC 61537 standard)



Specified load ratings are independent of splice plate location.



WIRE MESH TRAY SYSTEM ACCESSORIES

Boltless Splice Plate

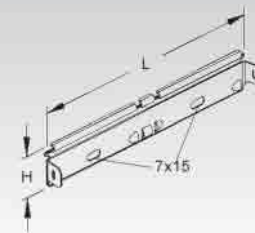
model no.	height H mm/Inch	length A mm/Inch	for wire gauge mm/Inch	EAN code	Weight per 100 pc. kg
S GRVS 4	37/1,4	220/8,6	3,5 - 4,0	280353	0,8
S GRVS 5	38/1,5	220/8,6	4,0 - 5,0	280377	8,3
E3 GRVS 4 E3	37/1,4	220/8,6	3,5 - 4,0	781201	0,8
E3 GRVS 5 E3	38/1,5	220/8,6	4,0 - 5,0	340118	0,8

for straight connections of wire mesh tray

Please use E3 stainless steel splice plates for HDG wire mesh basket.



55



Universal Splice Plate

model no.	acc. incl.	EAN code	Weight per 100 pc. kg
S GRV 6	1 FLM 6x16 F	280209	3,5
F GRV 6 F	1 FLM 6x16 F	280186	0,3
E3 GRV 6 E3	1 FLM 6x16 E3	802104	3,5

for making straight runs of wire mesh tray and fittings for wire mesh tray



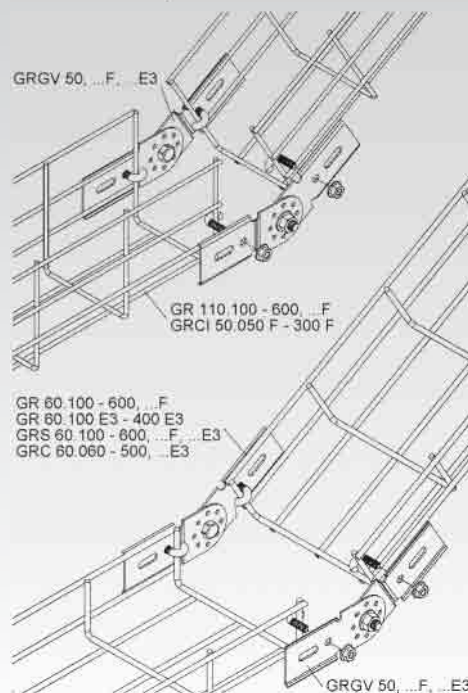
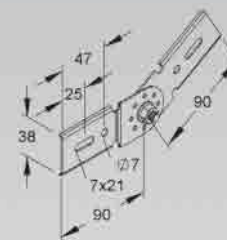
53



Adjustable Splice Plate

model no.	acc. incl.	EAN code	Weight per 100 pc. kg
★ S GRGV 50	2 GRSM 6	940561	11
★ F GRGV 50 F	2 GRSM 6 F	940585	12
★ E3 GRGV 50 E3	2 GRSM 6 E3	940578	11

for custom built vertical elbows



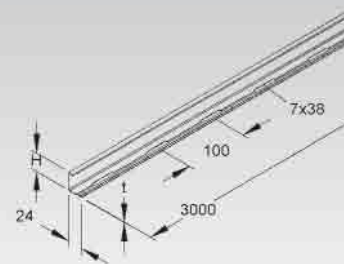
Horizontal 90°/Tee Splice Kit

model no.	height H mm/Inch	width B mm/Inch	acc. incl.	EAN code	Weight per 100 pc. kg
F GRWV 20/250 F	20/0,8	250/9,8	4 GRSM 6	280452	



Barrier Strip

model no.	height H mm/Inch	thick-ness t mm/Inch	acc. incl.	EAN code	Weight per 100 m kg
S RW 35	30/1,2	0,75	4 FLM 6x12	213504	35
S RW 50	47/1,8	0,75	4 FLM 6x12	224951	45
S RW 60	55/2,1	0,75	4 FLM 6x12	225002	50
S RW 85	80/3,1	0,9	4 FLM 6x12	237609	92
S RW 110	98/3,8	0,9	4 FLM 6x12	251001	90
F RW 35 F	30/1,2	0,75	4 FLM 6x12 F	213603	35
F RW 60 F	55/2,1	0,75	4 FLM 6x12 F	225101	50
F RW 85 F	80/3,1	0,9	4 FLM 6x12 F	237708	92
F RW 110 F	98/3,8	0,9	4 FLM 6x12 F	251100	90
E3 RW 50 E3	47/1,8	0,8	4 FLM 6x12 E3	333356	45

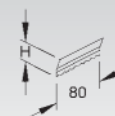
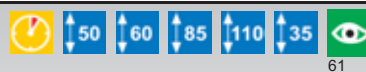


To separate wires and cables of different voltage levels or with different functions.

Flange with slotted holes 7x38 mm, spacing 100 mm.

Splice Plate for Barrier Strip

model no.	height H mm/Inch	length A mm/Inch	EAN code	Weight per 100 pc. kg
E2 RTV 35 E2	29/1,1	80/3,1	213658	1
E2 RTV 50 E2	46,5/1,8	80/3,1	224999	1
E2 RTV 60 E2	54,5/2,1	80/3,1	225149	1,5
E2 RTV 85 E2	79,5/3,1	80/3,1	237753	2
E2 RTV 110 E2	97,5/3,8	80/3,1	251162	3

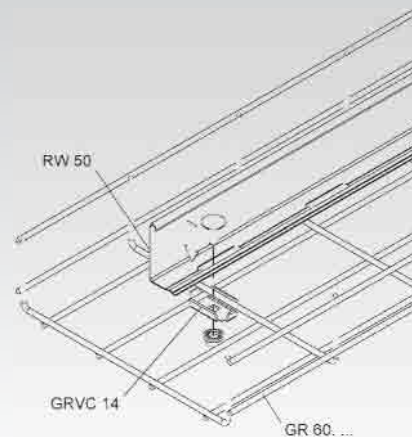


For positive locking connections and proper bonding of barrier strips.

Mounting Clamp for Barrier Strip

model no.	acc. incl.	EAN code	Weight per 100 pc. kg
S GRVC 14	1 FLM 6x16	280308	3
F GRVC 14 F	1 FLM 6x16 F	280339	3
E3 GRVC 14 E3	1 FLM 6x16 E3	841509	3

for attaching barrier strips to wire mesh tray



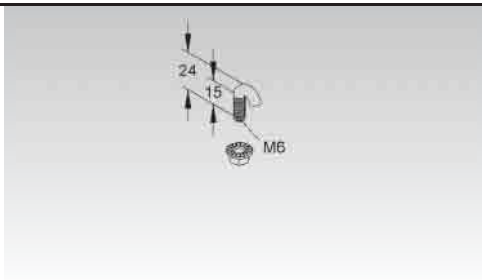
WIRE MESH TRAY SYSTEM ACCESSORIES

J - Hook Bolt

model no.	thread	EAN code	Weight per 100 pc. kg
V GRSM 6	M6	280506	1
E3 GRSM 6 E3	M6	343799	2,7

to fix wire mesh tray on brackets

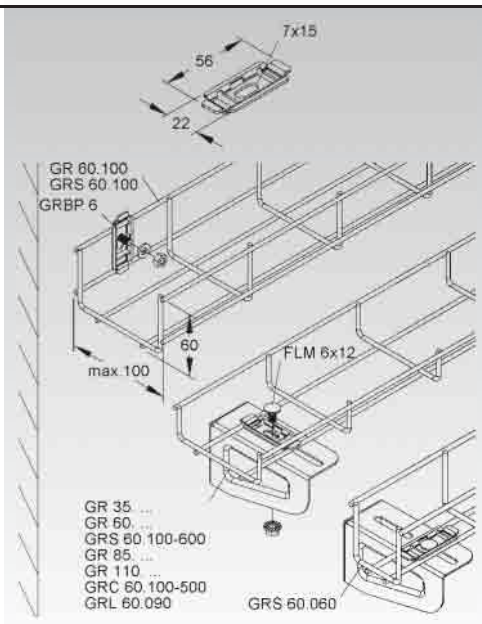
serrated flange nut included



Universal Wire Mesh Mounting Bracket

model no.	EAN code	Weight per 100 pc. kg
S GRBP 6 S	936953	1,2
E3 GRBP 6 E3	936960	1,2

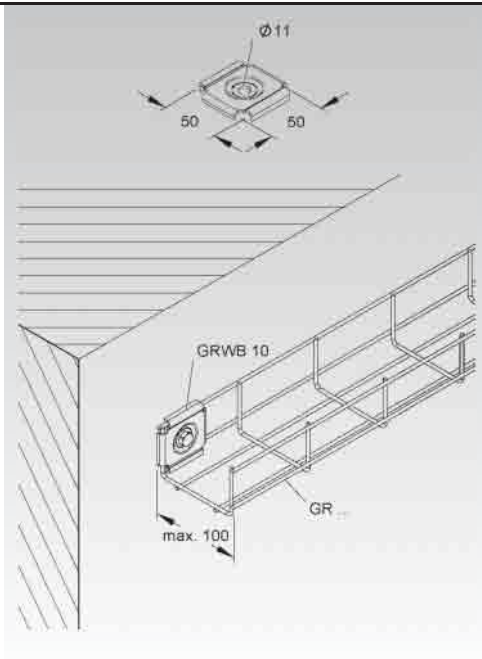
Hardware is not included.



Wall Bracket and Floor Support

model no.	EAN code	Weight per 100 pc. kg
S GRWB 10	280605	6
F GRWB 10 F	280650	6,5
E3 GRWB 10 E3	802005	5

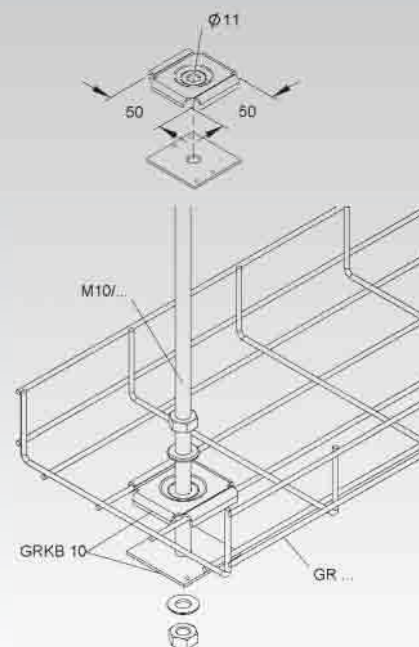
for wall mounting of wire mesh tray with a max. width of 100 mm and for centered hanging of wire mesh tray (max. width 300 mm) by threaded rod



Center Hanger

model no.	EAN code	Weight per 100 pc. kg
S GRKB 10	280704	10
F GRKB 10 F	280759	10

for wall mounting of wire mesh tray with a max. width of 100 mm and for centered hanging of wire mesh tray (max. width 300 mm) by threaded rod

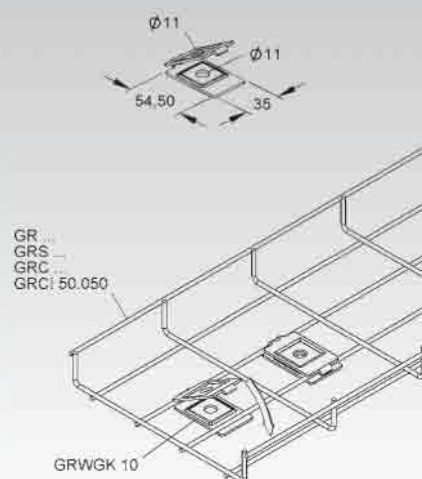


Wire Mesh Mounting Bracket

model no.	EAN code	Weight per 100 pc. kg
S GRWGK 10 S	280797	5,8
E3 GRWGK 10 E3	931057	5,8

for wall mounting of wire mesh tray with a max. width of 100 mm and for centered hanging of wire mesh tray (max. width 300 mm) by threaded rod

Can be used for all kinds of wire mesh tray from wire gauge 3.0 mm to 6.0 mm. GR 40.040 and GRS 60.060 are supported as well.



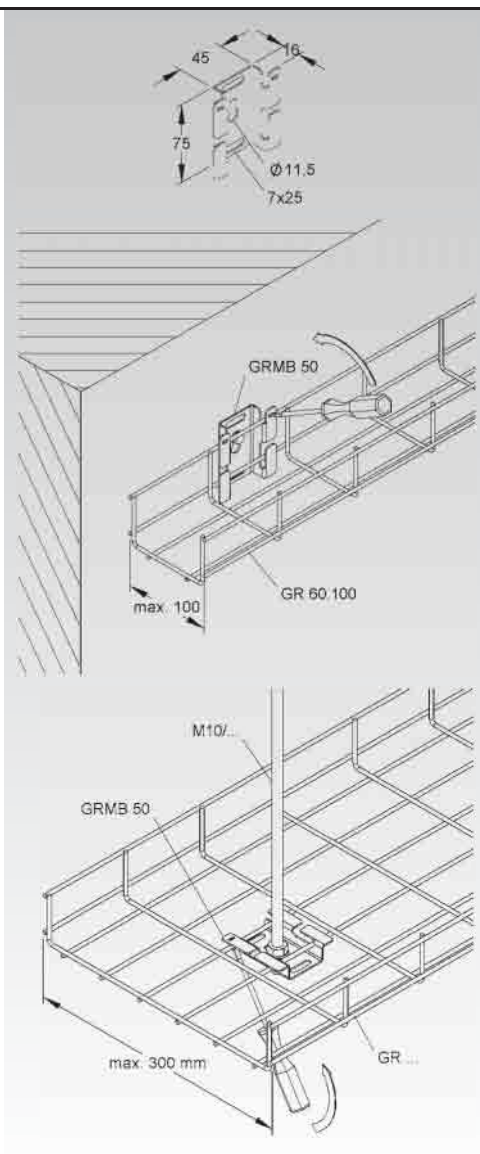
WIRE MESH TRAY SYSTEM ACCESSORIES

Wall Mounting Bracket

for wire mesh tray

model no.	EAN code	Weight per 100 pc. kg
S GRMB 50	864904	8,5
E3 GRMB 50 E3	912018	8,5

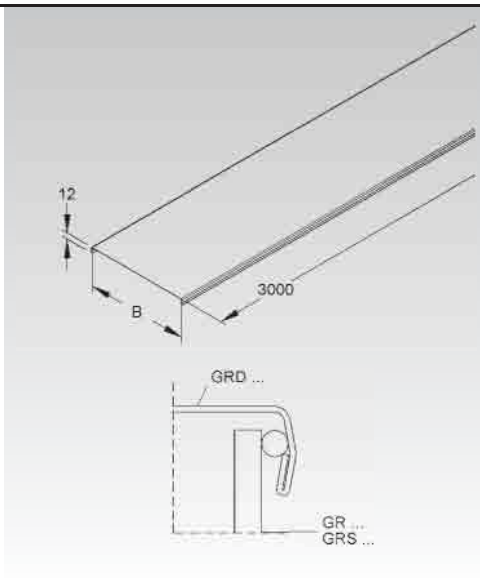
for wall mounting of wire mesh tray with a max. width of 100 mm and for centered hanging of wire mesh tray (max. width 300 mm) by threaded rod



Snapon Cover for Wire Mesh Tray

model no.	width B	thick-ness t	EAN code	Weight per 100 m kg
	mm/Inch	mm/Inch		
S GRD 60	58,5/2,3	0,75	909346	55,6
S GRD 100	98,5/3,8	0,75	909360	78
S GRD 150	148,5/5,8	0,75	909384	109
S GRD 200	198,5/7,7	0,75	909407	139
S GRD 300	298,5/11,6	0,9	922000	239
E3 GRD 60 E3	58,5/2,3	0,8	801206	57
E3 GRD 100 E3	98,5/3,8	0,8	801251	83
E3 GRD 150 E3	148,5/5,8	0,8	801220	115,6
E3 GRD 200 E3	198,5/7,7	0,8	801305	146
E3 GRD 300 E3	298,5/11,6	0,8	801374	210,6

Hot-dip galvanized finish available on request.



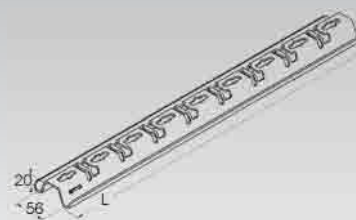
Quick Fix Center Hanger/Trapeze Support

model no.	Total length L mm/Inch	EAN code	Weight per 100 kg
★ S GRTW 300 S	350/13,6	967490	53
★ S GRTW 500 S	550/21,4	967506	84
★ S GRTW 600 S	650/25,4	967513	100
★ S GRTW 3000 S	3000/117	967520	570

The GRTW profile is specially designed for ceiling support of wire mesh tray by means of threaded rod. It provides full bottom support when used as center hanger (up to 300 mm width of tray) or as trapeze hanger using two pieces of threaded rod.

The GRTW accommodates 1/4" and 3/8" or M8 and M10 rod sizes. The wire mesh basket installs quickly to the GRTW using a screwdriver. No bolts and nuts are required. Thus the overall installation time is reduced significantly.

The GRTW is available in pre-cut length or in 10' (3000 mm) sections to allow field cutting to length.

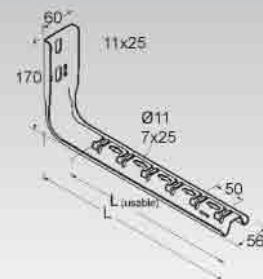


Quick Fix L-Bracket

model no.	Total length L mm/Inch	EAN code	Weight per 100 kg
★ S GRTKS 150 S	215/8,4	967537	34
★ S GRTKS 200 S	265/10,3	967544	41
★ S GRTKS 300 S	365/14,2	967551	54
★ S GRTKS 500 S	565/22	967568	80
★ S GRTKS 600 S	665/25,9	967575	93

The GRTKS is a specially designed wall bracket for wire mesh tray. The wire mesh basket installs quickly to the GRTKS using a screwdriver.

No bolts and nuts are required. Thus the overall installation time is reduced significantly. The use of 3/8" or M10 steel anchor bolts is recommended for secure wall mounting.



Cable Drop Out

model no.	EAN code	Weight per 100 kg
★ S GRKA 50 S	967483	16

The GRKA is a fitting to keep the cable radius secure at the drop out point. It can be installed cross- or lengthwise and attaches to the wire mesh tray without hardware. Special longholes allow fixing of cables using cable ties.

